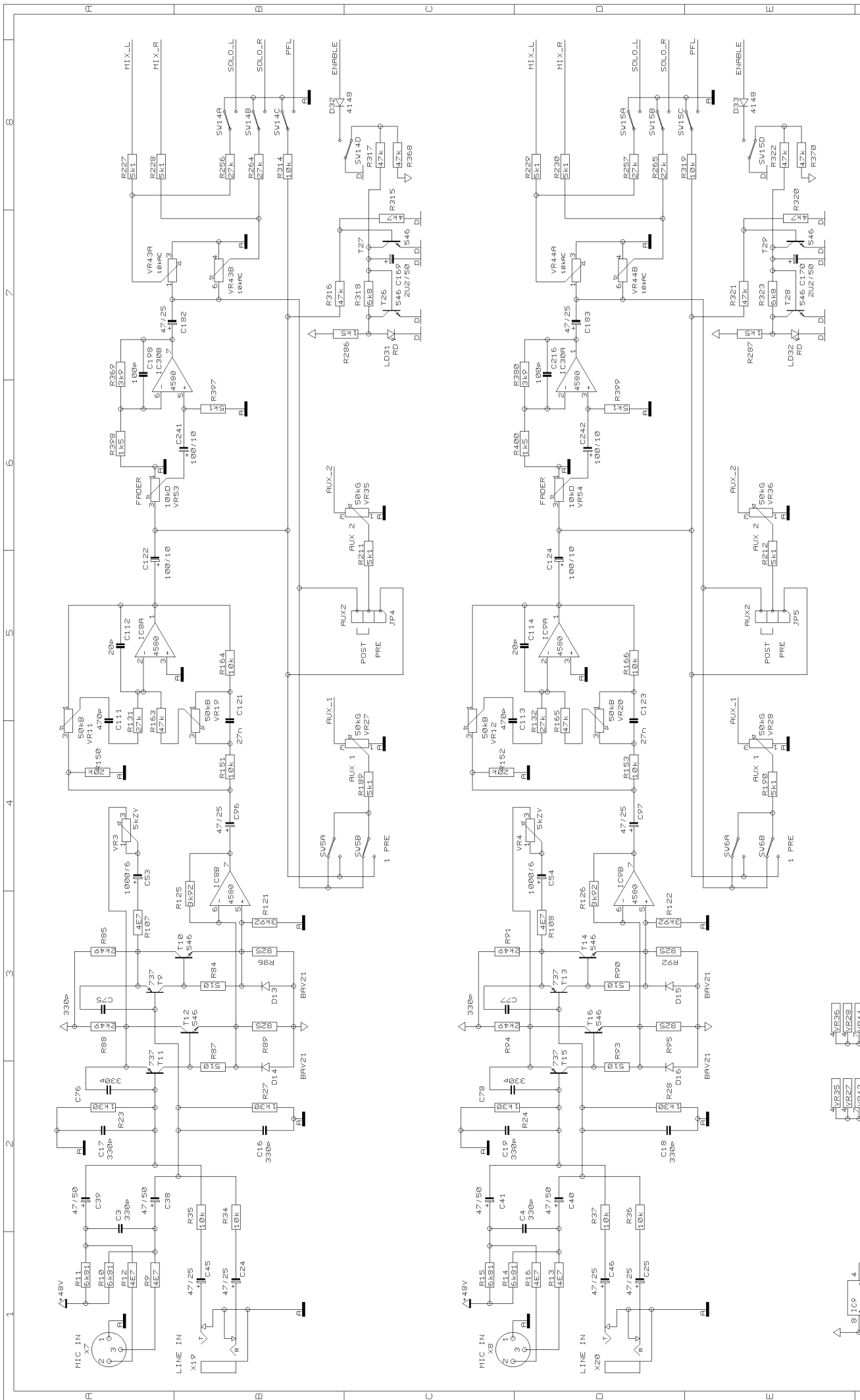


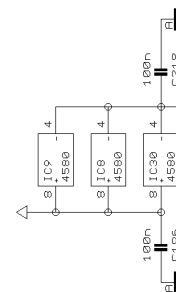
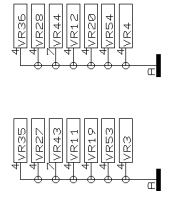
REVISIONS	I	CHECKED	DATE 05.02.19:45
DRAWN		SHEETS TOTAL	

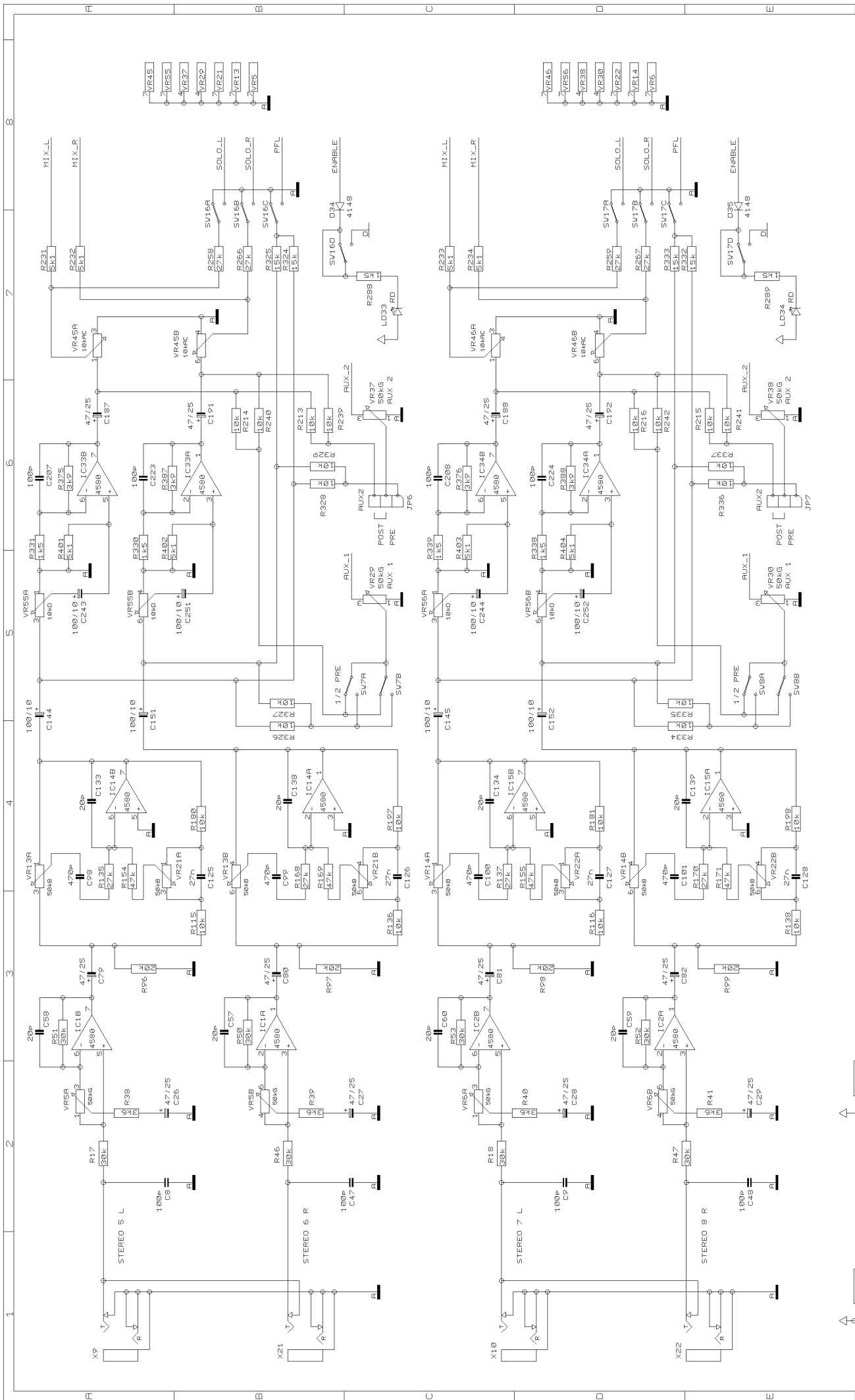
PROJECT
 MX1602
 EURO RACK
 MIC CHANNEL 1/2



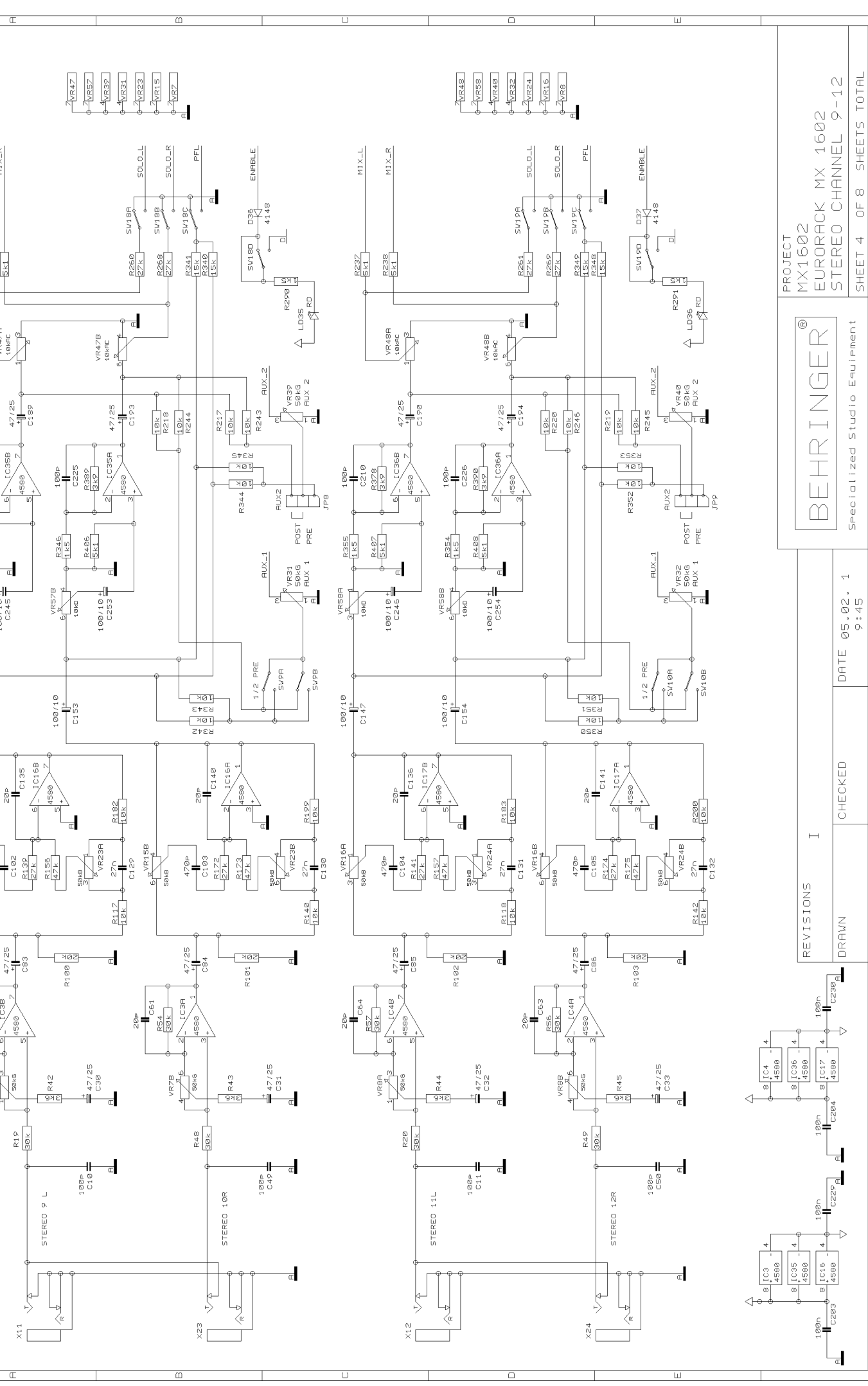


		PROJECT MX1602 BUBOBACK3M* 1602 MIC CHANNEL 3/4	
		SHEET 2 OF 8 SHEETS TOTAL	
REVISIONS I		DATE 05.02.1 9:45	
DRAWN		CHECKED	





1	2	3	4	5	6	7	8
<p style="font-size: 2em; font-weight: bold; margin: 0;">BEHRINGER</p> <p style="margin: 0;">Specialized Studio Equipment</p>							
<p style="margin: 0;">PROJECT MX1602 EUROCRACK MX 1602 STEREO CHANNEL 5-8</p>							
<p style="margin: 0;">REVISIONS I</p>							
DRAWN				CHECKED			
DATE 05.02.1994				SHEETS TOTAL 8			



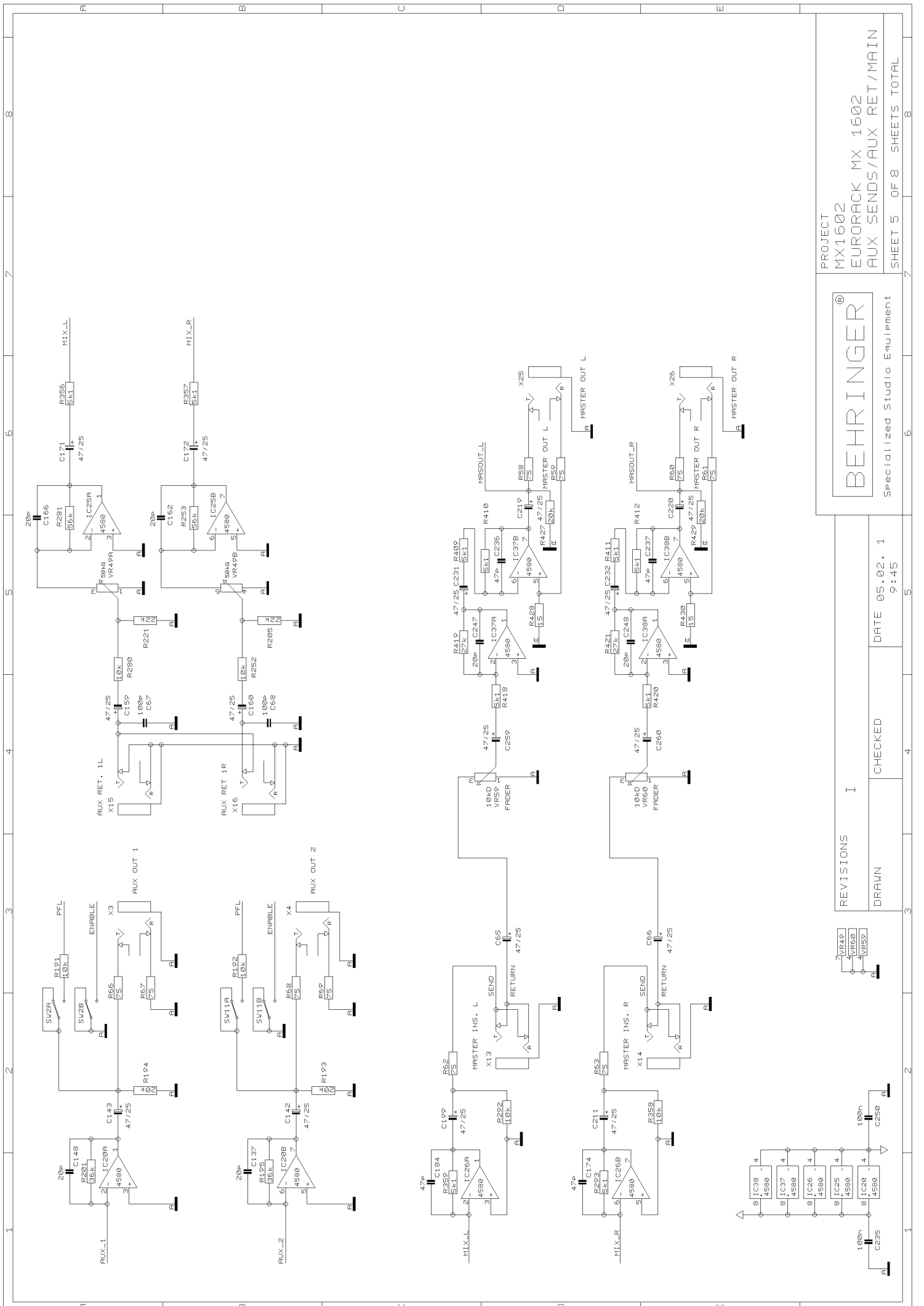
PROJECT
MX1602
EUROCRACK MX 1602
STEREO CHANNEL 9-12

BEHRINGER
Specialized Studio Equipment

DATE 05.02.1
9:45

REVISIONS I
DRAWN
CHECKED

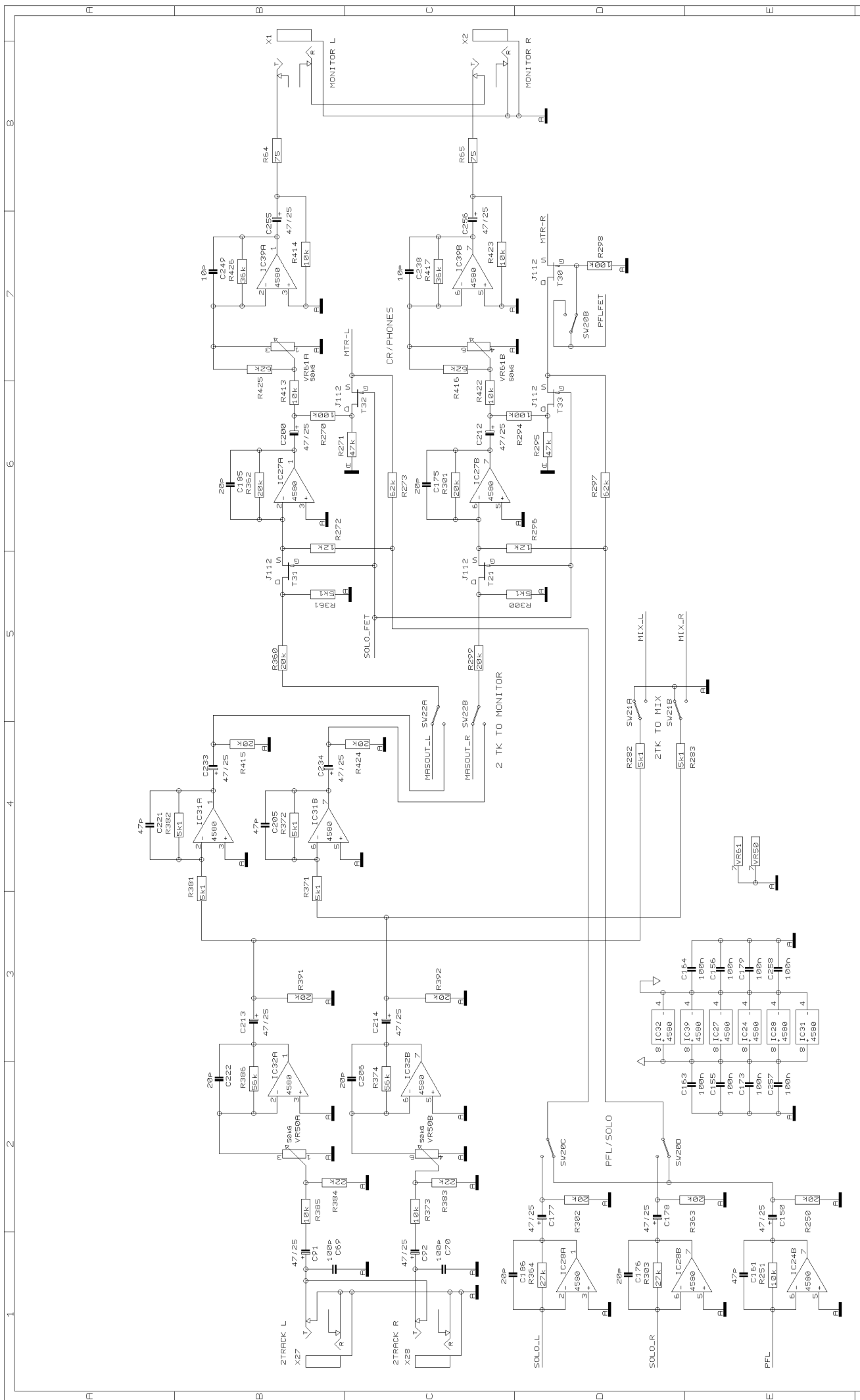
SHEET 4 OF 8 SHEETS TOTAL



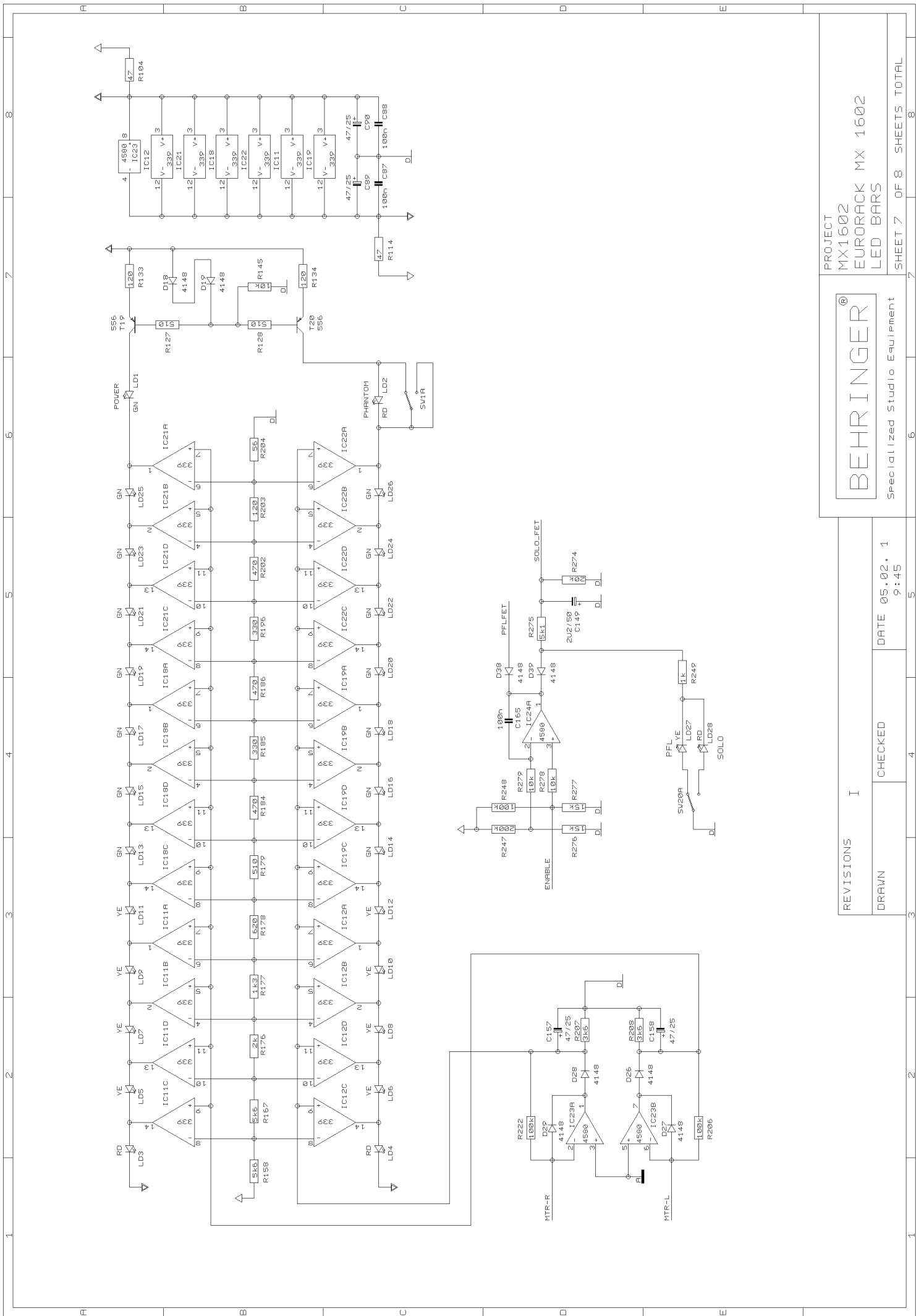
Specialized Studio Equipment

REVISIONS	I	DATE	05.02.19
DRAWN	CHECKED		

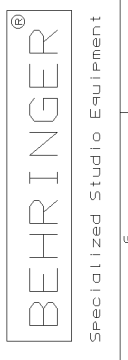




PROJECT MX1602 EUROTRACK MX 1602 SOLO/PFL/MONITOR		SHEET 6 OF 8 SHEETS TOTAL	
<div style="border: 1px solid black; padding: 5px; text-align: center;"> BEHRINGER <small>Specialized Studio Equipment</small> </div>		DATE 05.02.1984	
		DRAWN	
REVISIONS		CHECKED	
I		4	



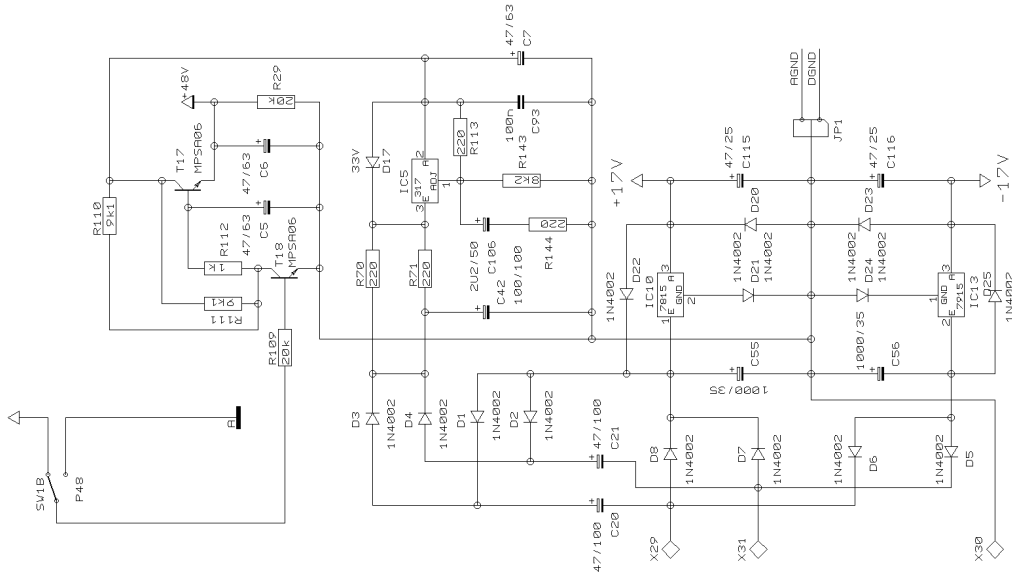
PROJECT
 MX1602
 EURO RACK MX 1602
 LED BARS



Specialized Studio Equipment

REVISIONS	I	DATE	05.02.19
DRAWN	CHECKED		

SHEET 7 OF 8 SHEETS TOTAL



REVISIONS I

DRAWN

CHECKED

DATE 05.02.19:45

BEHRINGER
Specialized Studio Equipment

PROJECT
MX1602
EUROACK MX 1602
POWER SUPPLY

SHEET 8 OF 8 SHEETS TOTAL